

PLEASE WAIT

Design by SHIGEAKI ASAHARA

TOKIO

LAMP

to be



SEATED

PLEASE WAIT

The TOKIO DESK LAMP was introduced back in 1980 by Shigeaki Asahara and is now relaunched by PWtbS. Asahara has an eye for the classic and elegant yet with great sense of functionality and flexibility. While the desk lamp has preserved its essence it has entered a contemporary universe wherein it has been slightly challenged on its rigorous idiom to shake things up a bit. Beside from enabling dimming the intensity of the LED light the spherical dimmer ball allows the user to get tangible in a time where the significance of tactility is descending. Imparting both adjustable light intensity and adjustable inclination, Tokio Desk Lamp serves perfectly well as both a work light and as a cosy reading lamp.

MATERIALS:

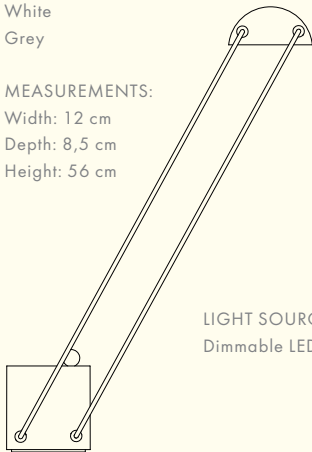
Base and head: Polycarbonates
Rods: Painted steel

COLOURS:

White
Grey

MEASUREMENTS:

Width: 12 cm
Depth: 8,5 cm
Height: 56 cm



LIGHT SOURCE:
Dimmable LED 4,5 watt

SHIGEAKI ASAHARA has been working on product design since the early 80's. His work is focused on balancing the technical features of materials with the aesthetic nature of the design process. The key element of his style is the pragmatic idea that movement, and hence the mechanism itself of the product, would lead to something both beautiful and refined, but also intuitive and accessible.



PLEASE WAIT to be SEATED A/S

Showroom
Frederiksgade 1, 1. floor
DK-1265 Copenhagen K
Denmark

+45 3155 2600
sales@pleasewaittobeseated.dk
pleasewaittobeseated.dk

SEATED

to be