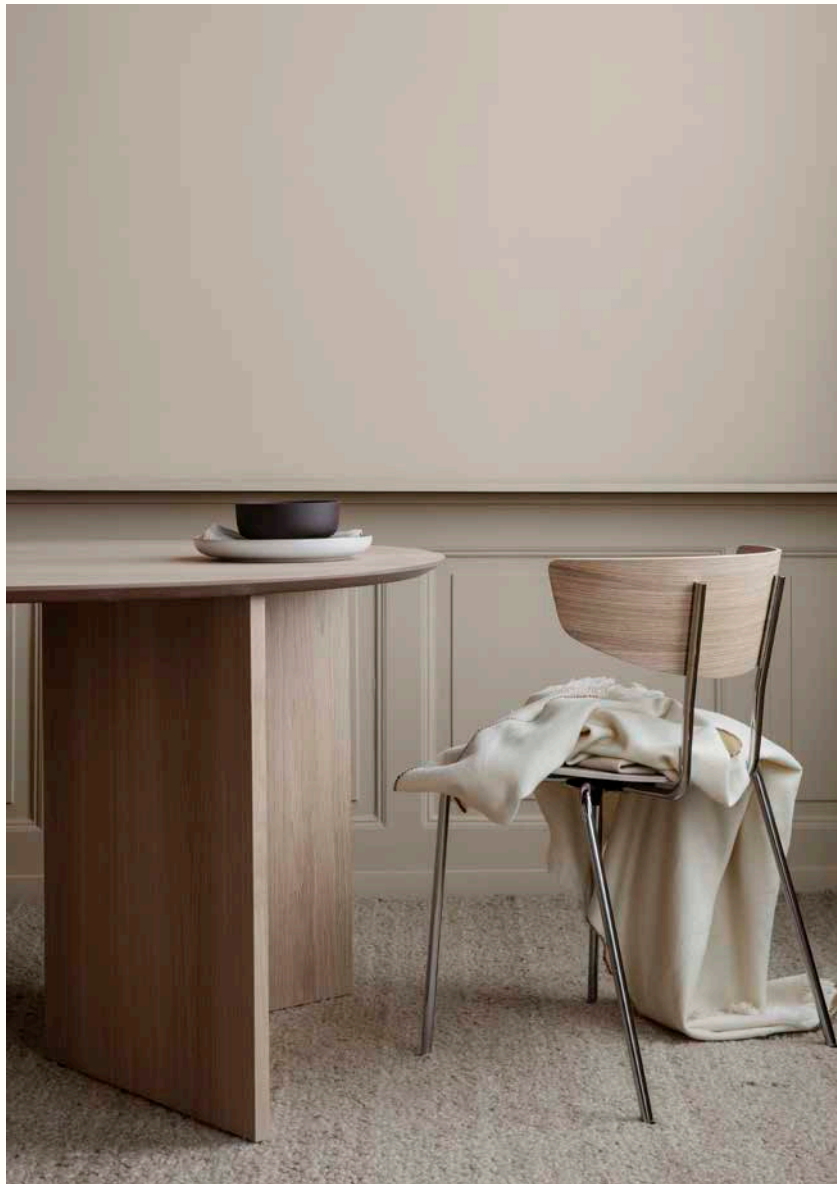


Product Fact Sheet

# Mingle Collection



ferm  
LIVING



# Mingle Table Top - Rectangular - 160 cm

Contemporary design, durable materials and elegant finishes meet in our popular Mingle series. Curate your ideal table by combining your chosen table top with a pair of matching or contrasting table legs. This table top is crafted from FSC™ certified wood veneer, and makes for an ideal work surface in your home office but also makes a sculptural dinner table. Combine the table top with either the metal or matching wooden table legs. The table legs are sold separately



100137210  
Natural Oak



100137106  
Dark Stained Oak



1104264132  
Walnut



9822  
Black Oak

## Information

**Size:** W:90 x L:160 x H: 2.5 cm / W: 35.4 x L: 63.0 x H: 1.0 in  
Fits Mingle table legs: W: 79 x H: 71 x D: 44.4 cm /  
W: 31.1 x H: 28.0 x D: 17.5 cm

**Material:** FSC™ Mix certified oak veneer top with MDF core.  
Natural oak: Oiled. Dark stained oak: Dark stained and oiled.  
Walnut: Oiled. Black oak: Black lacquered.

**Care:** Wipe with a damp cloth. Do not leave the surface wet

**Attention:** This table is tested to adhere to strength and durability standards, with tests based on a maximum load of 225 kg

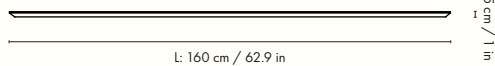
**Country of origin:** Denmark

**Net weight:** 22.0 kg

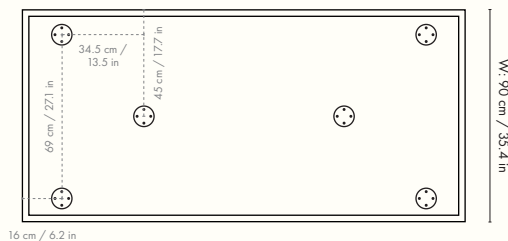
**Packsize:** 1

## Measurements

### Side view



### Bottom view



The mark of  
responsible forestry

# Mingle Table Top - Rectangular - 210 cm

Contemporary design, durable materials and elegant finishes meet in our popular Mingle series. Curate your ideal table by combining your chosen table top with a pair of matching or contrasting table legs. This table top is crafted from FSC™ certified wood veneer, and makes for an ideal work surface in your home office but also makes a sculptural dinner table. Combine the table top with either the metal or matching wooden table legs. The table legs are sold separately



100138210  
Natural Oak



100138106  
Dark Stained Oak



1104264127  
Walnut



9802  
Black Oak

## Information

**Size:** W:90 x L: 210 x H: 2.5 cm / W: 35.4 x L: 82.7 x H: 1.0 in  
Fits Mingle table legs: W: 79 x H: 71 x D: 44.4 cm /  
W: 31.1 x H: 28.0 x D: 17.5 cm

**Material:** FSC™ Mix certified oak veneer top with MDF core.  
Natural oak: Oiled. Dark stained oak: Dark stained and oiled.  
Walnut: Oiled. Black oak: Black lacquered.

**Care:** Wipe with a damp cloth. Do not leave the surface wet

**Attention:** This table is tested to adhere to strength and durability standards, with tests based on a maximum load of 225 kg

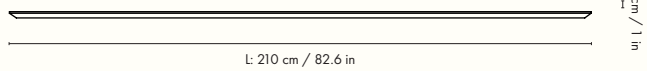
**Country of origin:** Denmark

**Net weight:** 33.0 kg

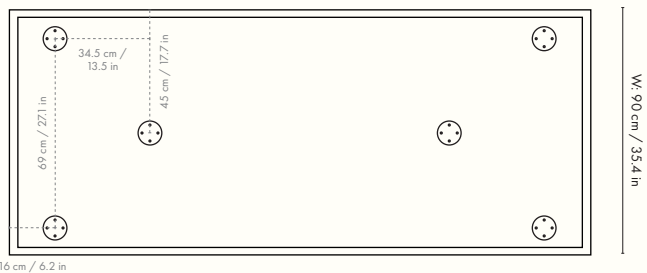
**Packsize:** 1

## Measurements

### Side view



### Bottom view



The mark of  
responsible forestry

# Mingle Table Top - Oval - 220 cm

Contemporary design, durable materials and elegant finishes meet in our popular Mingle series. Curate your ideal table by combining your chosen table top with a pair of matching or contrasting table legs. This oval table top is crafted from natural, FSC™ certified wood veneer with an MDF core, and makes for a sculptural dinner table in combination with either the metal or matching wooden table legs. The table legs are sold separately



100142210  
Natural Oak



100142106  
Dark Stained Oak



1104264130  
Walnut



9860  
Black Oak

## Information

**Size:** W: 90 x L: 220 x H: 2.5 cm / W: 35.4 x L: 86.6 x H: 1.0 in

Fits Mingle table legs: W: 79 x H: 71 x D: 44.4 cm /

W: 31.1 x H: 28.0 x D: 17.5 cm

**Material:** FSC™ Mix certified oak veneer top with MDF core.

Natural oak: Oiled. Dark stained oak: Dark stained and oiled.

Walnut: Oiled. Black oak: Black lacquered.

**Care:** Wipe with a damp cloth. Do not leave the surface wet

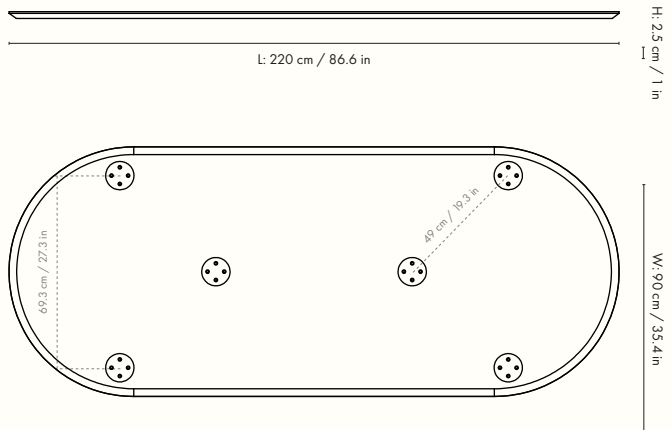
**Attention:** This table is tested to adhere to strength and durability standards, with tests based on a maximum load of 225 kg

**Country of origin:** Denmark

**Net weight:** 33.0 kg

**Packsize:** 1

## Measurements



The mark of responsible forestry



# Mingle Table Legs - Wooden

Turn the simple table top from the Mingle series into a sculptural dinner table with this set of FSC™ certified wooden table legs. The clean V-shape forms a solid foundation for your table, and with its voluminous expression, it will make quite the statement in your home. With the tactility and natural texture of the wood, you get a classic table that you will treasure for years to come



100212210  
Natural Oak



100212106  
Dark Stained Oak



1104264134  
Walnut



100212672  
Black Oak

## Information

**Size:** W: 79 x H: 71 x D: 44.4 cm / W: 31.1 x H: 28.0 x D: 17.5 cm

**Material:** FSC™ Mix certified oak veneer top with MDF core.

Natural oak: Oiled. Dark stained oak: Dark stained and oiled.

Walnut: Oiled. Black oak: Black lacquered.

**Care:** Wipe with a damp cloth. Do not leave the surface wet

**Attention:** These table legs undergo testing in line with strength and durability standards. The testing uses a matching tabletop and appropriate mounting, taking into account a maximum load of 225 kg.

If you choose to use your own tabletop, mounting becomes your responsibility and is done at your own risk

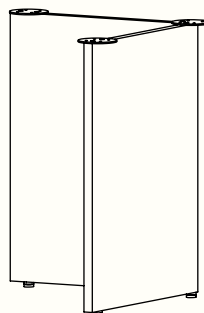
**Country of origin:** Denmark

**Net weight:** 12.0 kg

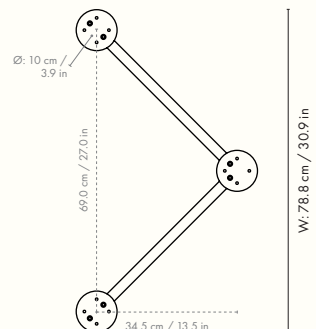
**Packsize:** 1

## Measurements

Side view



Top view



The mark of responsible forestry

# Mingle Table Legs - Steel

We have updated this set of trestles for the Mingle Table top with adjustable feet for levelling the table so that you can ensure that it stands steadily even on uneven floors. Crafted from powder coated metal, this simple pair of trestles provides a sturdy base for the Mingle Table Top. The clean lines of the design and the beautiful range of colours make it a perfect choice for your home office or dining room. The trestles come as a set of two



1104264127  
Walnut



9802  
Black Oak

## Information

**Size:** W: 79 x H: 71 x D: 44.4 cm / W: 31.1 x H: 28.0 x D: 17.5 cm

**Material:** Chrome: Chrome plated steel.

Black: Powder coated steel

**Info:** If you purchase the trestles alone, please make sure to use the right type of screws for the table top. With adjustable feet. Registered design

**Care:** Wipe with a damp cloth

**Attention:** These table legs undergo testing in line with strength and durability standards. The testing uses a matching tabletop and appropriate mounting, taking into account a maximum load of 225 kg. If you choose to use your own tabletop, mounting becomes your responsibility and is done at your own risk

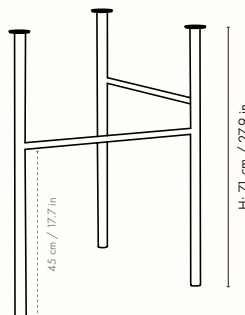
**Country of origin:** Sweden

**Net weight:** 7.0 kg

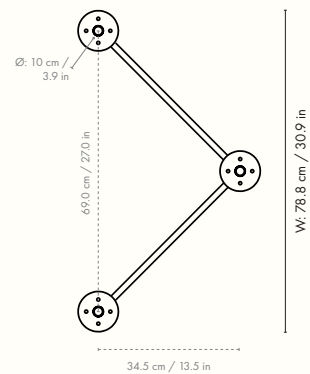
**Packsize:** 1

## Measurements

Side view



Top view



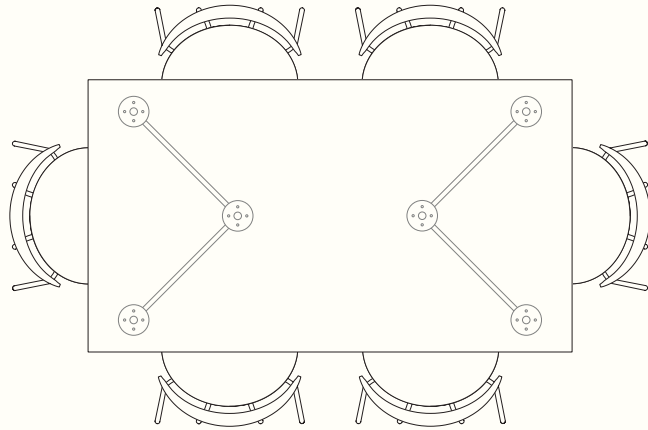




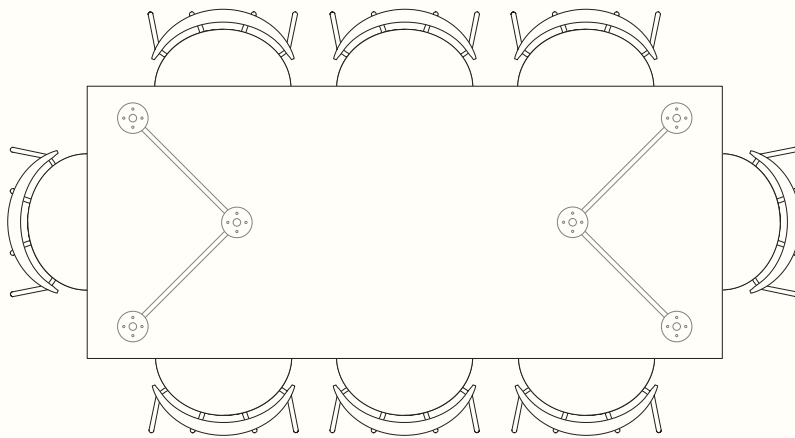
# Mingle Rectangular Tables – Seating Overview

Based upon Herman Chair and at least 60 cm seating space per person

Mingle Table Top - Rectangular - 160 cm



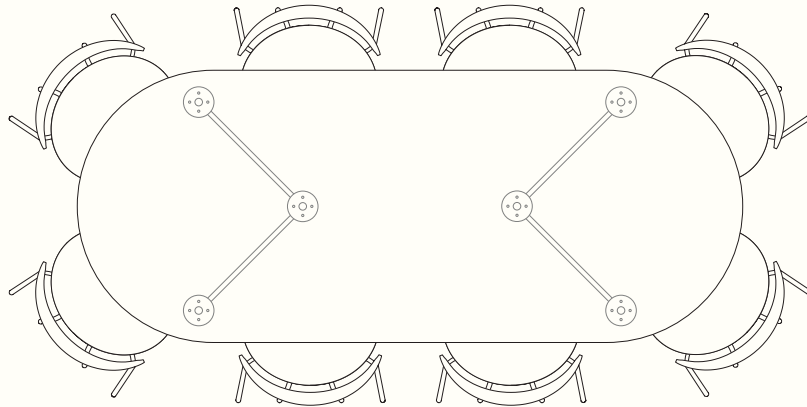
Mingle Table Top - Rectangular - 210 cm



# Mingle Oval Table – Seating Overview

Based upon Herman Chair and at least 60 cm seating space per person

Mingle Table Top - Oval - 220 cm



Space to feel comfortably you