

MERIDAN LAMP

PRODUCT INFO



ferm
L I V I N G



MERIDIAN LAMP

The Meridian Lamp presents a portable, dimmable lighting solution that works in a multitude of settings. Made in collaboration with the design studio Regular Company, the intriguing, sculptural form of the Meridian Lamp is based on three simple geometric elements. Combined, the lamp presents a clean, modern expression. The lamp offers easy, hassle-free charging, and provides up to 12 hours of light at a time.

PRODUCT INFO

Product type: Lamps for indoor use only.
For contract sales and contract use please contact us for further information.
Exclusively approved for sale in the EU, Norway, Switzerland and UK.
Separate item number for the US.

Country of origin: China

Design: Collaboration with Regular Company

Assembly: The lamps come fully assembled

Care instructions: Wipe with a damp cloth

LAMPS RATING & BULB SPECIFICATION

Voltage : 220-240V / 50Hz

Dimmable: Yes, 5-100% touch dimming

Light specifications: 2 W
2700 K
Ra > 80
180lm Max

Battery capacity: 3,7V/5000 mAh, Lithiumion rechargeable
Charging time: 5H
Discharging time: 12H (max power)

Certifications: CE, IP20, Class II

Recommended light source: Non removable LED bulb, max. 2W

USB specifications: UBS Type C
UBS cable length: 1.5m

Adapter: 100-240V input
5V/2A output



BLACK



CASHMERE



BRASS





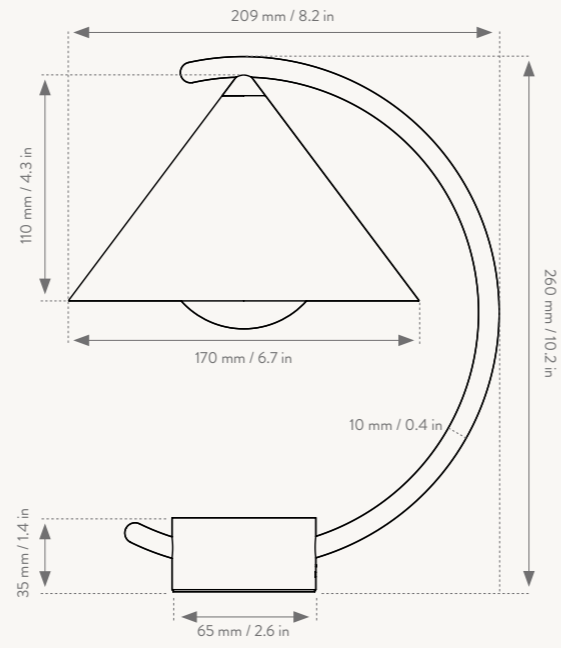
110143101
Black



110177501
Brass



110174693
Cashmere



MERIDIAN LAMP

Size: H: 26 x W: 20.9 x D: 17 cm
H: 10.2 x W: 8.2 x D: 6.7 in

Material: Powder coated steel

Care: Galvanized steel

Info: Wipe with a damp cloth

Voltage: 220-240V - 50Hz.

Non removable LED light source, warm white. Service life: 30.000 hours.

Only approved for EU/NO/CH/UK

(UK plug version for UK) and separate version for US. Charger included.

Registered design

Design: Collaboration with Regular Company

Net. weight: 0.7 kg

Packsizes: 2

Recommended retail price
Black & Cashmere / Brass

DKK 1.199 / 1.299

SEK 1.715 / 1.855

NOK 1.715 / 1.855

EUR 159 / 175

GBP 155 / 165

USD 225 / 245





Life is full of contrasts

As we navigate expectations and dreams in the search for meaning and comfort, we long for a balanced life with room for chaos and calm, moments of reflection and times of joy. A place where we can be ourselves, realise the true value of things and feel at home.

Based on a passion for authentic design and clear functionality, we challenge ourselves to shape the future and take pride in creating products that help you balance the contrasts of life.

Our soft forms, rich textures and deep colours allow you to create an authentic and composed atmosphere, while avant-garde shapes, striking patterns and curious details add a touch of the unexpected.

From our base in Copenhagen, we work with artisans around the world, fusing our Scandinavian mindset with global skills and traditions. We take our responsibility to people and the planet seriously and expect the same of our partners.

We create collections of furniture, accessories and lighting, so you can create space to feel comfortably you.

Welcome home.

