

## Stay Collection // Sofa oval

Designed by SPACE

### PRODUCT



### DESCRIPTION

Stay here, stay with me, stay relaxed, stay and read... Stay Collection, consisting of two lounge chairs and three sofas, has a sculptural and organic shape that, besides from giving a contemporary look, also embraces the user and encourages to stay seated. The characteristic shape is almost like a singular continuous pencil stroke wrapping a solid texture. The collection is suitable for both public spaces and private homes as its small size fits very well to populate spaces of limited size where keeping cosiness and comfort are essential.

### VERSION

- Fully upholstered / black base
- '- Fully upholstered / Wooden legs

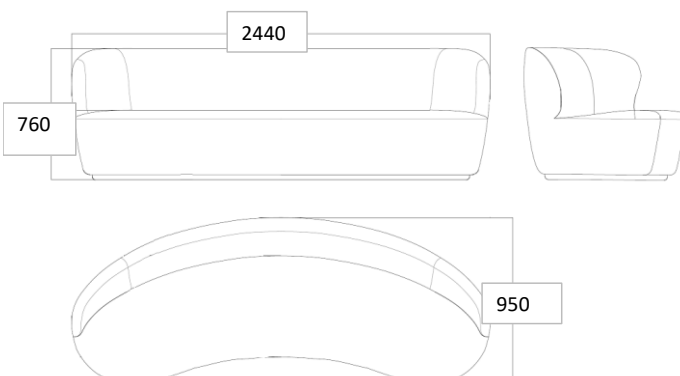
### TYPES

Order item - look for part number in the pricelist.  
The series consists of the following:

- Stay Sofa , W: 70 cm // L: 150 cm, 190 cm, 260 cm.
- Stay Sofa , W: 95 cm // L: 190 cm, 220 cm, 260 cm
- Stay Sofa , W: 110 cm // L: 220 cm, 260 cm
- Stay Lounge Chair - Large
- Stay Lounge Chair - Small
- Stay Lounge Chair - Small Swivel
- Stav Ottoman



### MEASUREMENTS



### FACTS

#### MEASUREMENT - H X L X W: MM

Height: 760 mm  
Length: 2440 mm  
Width: 950 mm  
Sitting height: 410 mm  
Sitting depth: 580 mm

#### WEIGHT ITEM

125 kg

#### PACKAGING TYPE

Cardboard box, chipboard and euro pallet

#### PACKAGING MEASUREMENT - L x W x H CM

247 x 98 x 76

#### PACKAGING - MATERIAL TYPE

- Delivery note
- Cardboard box, FEFCO quality EB85BB
- Polybag PE
- Bubble wrap
- Strapping

#### WEIGHT PACKAGING - TOTAL

3 kg

#### NUMBER OF PARCELS

1

#### FABRIC CONSUMPTION

140 cm x 660 cm

#### LEATHER CONSUMPTION

14,4 m<sup>2</sup>

## Stay Collection // Sofa oval

---

Designed by SPACE

### CLEANING AND MAINTENANCE

---

For cleaning the upholstered surface, first try to brush off the dirt gently. If this is not enough then vacuum the surface. If further cleaning of the padding is needed, a stain remover is recommended. The cleaning has to be gentle and must always be tested on the most invisible area of the surface before the actual cleaning.

Avoid blotches by gentle, circular rubbing towards the stain. To avoid stains, quickly remove the dirt with a piece of absorbing household wipe and clean with water and colourless washing-up liquid.

Do not use the following products for the padding:

- Undiluted cleaning liquids.
- Bleach.
- Ammoniac.
- Soap for hard surfaces.

For further cleaning guidance, we refer to information regarding the specific textile.

### ENVIRONMENT

---

Parts can be separated and sorted for recycling.

### TESTS

---

-

### CERTIFICATION AND LABELS

---

-