

Designed by Mathieu Matégot

PRODUCT



Item no.: 25004-07



DESCRIPTION

The Copacabana chair was created in 1955 by Mathieu Matégot. The construction is based on a curved tubular frame surrounding the round seat and the back made of perforated sheet metal, ending with the continuous rear legs. The loose cushion is made in leather or fabric with matching buttons and piping. Mathieu Matégot creates his legendary pieces in 1950s. The three-legged Nagasaki Chair is Matégot's best known piece. Besides the Copacabana chair the collection consists of Nagasaki chair, Nagasaki stool, Kangourou sofa table, Dedal shelves, Coatrack, Demon shelves and Trolley. All models are made of powder-lacquered steel.

VERSION

- Black frame / RAL 9005, gloss level 30 // Upholstered cushion in black leather

TYPES

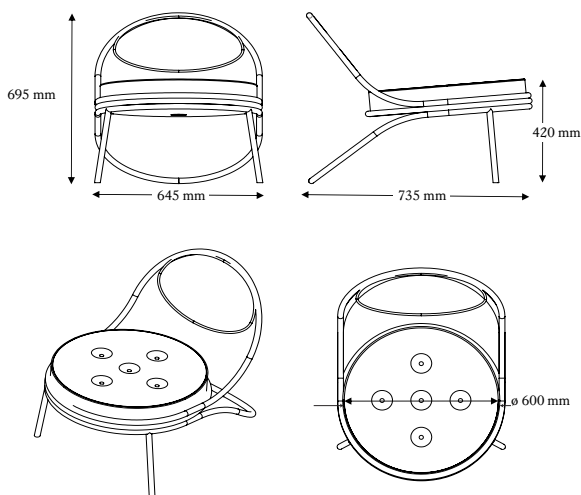
Order item - look for part number in the pricelist.

The series consists of the following:

Nagasaki chair, Nagasaki stool, Kangourou table, Dedal shelf, Coat rack, Demon shelf, Trolley, Copacabana chair, Copacabana table



MEASUREMENTS



FACTS

MEASUREMENT - H X W X D MM

- Sitting height: 420 mm
- Seat width: 600 mm
- Seat depth: 600 mm
- Seat height: 360 mm
- Back height: 410 mm
- Chair width: 645 mm
- Chair depth: 735 mm
- Chair height: 695 mm
- Tube dimension: Ø22 mm

WEIGHT ITEM

13,6 kg

PACKAGING TYPE

Cardboard box

PACKAGING MEASUREMENT - L X W X H CM

D: 86 W: 66,5 H: 72 CM

WEIGHT PACKAGING - MATERIAL TYPE

- Delivery note: - 15 g
- Cardboard box, FEFCO quality BC85BB: 1700 g
- Polybag PE: 20 g
- LD-EPE foam protector: 50 g
- Strapping: 10 g

WEIGHT PACKAGING - TOTAL

1,8 kg

NUMBER OF PARCELS

1 psc.

ACCESSORIES

-

CLEANING AND MAINTENANCE

- For dusting and lightly cleaning use a soft, dry cloth. For further cleaning of the, use a mild detergent or washing-up liquid dissolved in water on a firmly wrung cloth. Afterwards, repeat the process with clean water as described above.

Polish with a soft cloth after wiping.

Do not use materials for maintenance that:

- Contain abrasive agents.
- Are basic, acidiferous or organic.

For the best maintenance of the product, protect it against sunlight and heat, and try to keep it away from moisture, grease and other dirt.

Furthermore, protect the surfaces against sharp objects and other that might scratch.

ENVIRONMENT

Parts can be separated and sorted for recycling.

TESTS

-

CERTIFICATION AND LABELS

-